

## General information

This document contains important information for the safe use of the product. Read and follow the safety notes and all other instructions. Keep the document for future reference. If you pass on the product, please also include this document. The right to make changes is reserved. Please refer to the latest version of the documentation, which is ready for download under [www.thomann.de](http://www.thomann.de).



## Intended use

This product serves as a workstation for studio applications. Any other use or use under other operating conditions is considered to be improper and may result in personal injury or property damage. No liability will be assumed for damages resulting from improper use. This product may be used only by persons with sufficient physical, sensorial, and intellectual abilities and having corresponding knowledge and experience. Other persons may use this product only if they are supervised or instructed by a person who is responsible for their safety.



## Risk of injury and choking hazard for children!

Children can suffocate on packaging material and small parts. Children can injure themselves when handling the product. Never allow children to play with the packaging material and the product. Always store packaging material out of the reach of babies and small children. Always dispose of packaging material properly when it is not in use. Never allow children to use the product without supervision. Keep small parts away from children and make sure that the product does not shed any small parts that children could play with.



## Risk of injury due to the heavy weight of the product!

The product is heavy. Lifting and dropping it during transport and installation can cause injuries. Make sure at least two people work together when transporting and installing the product.



## Risk of cuts to the hands from sharp edges during assembly!

Tools, screws and components can have sharp edges that can cause cuts during assembly. Pay attention to sharp edges when assembling and screwing the individual parts. Wear protective gloves if necessary.

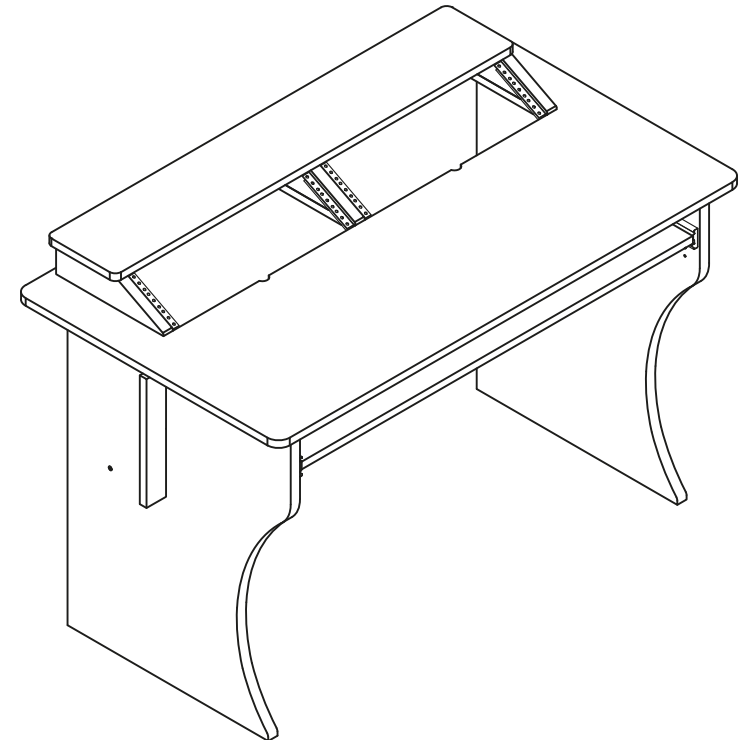


## Possible staining due to plasticiser in rubber feet!

The plasticiser contained in the rubber feet of this product may react with the coating of the floor and cause permanent dark stains after some time. If necessary, use a suitable mat or felt slide to prevent direct contact between the device's rubber feet and the floor.



For the packaging, environmentally friendly materials have been chosen that can be supplied to normal recycling. Ensure that plastic bags, packaging, etc. are properly disposed of. Do not just dispose of these materials with your normal household waste, but make sure that they are collected for recycling. Please follow the notes and markings on the packaging.

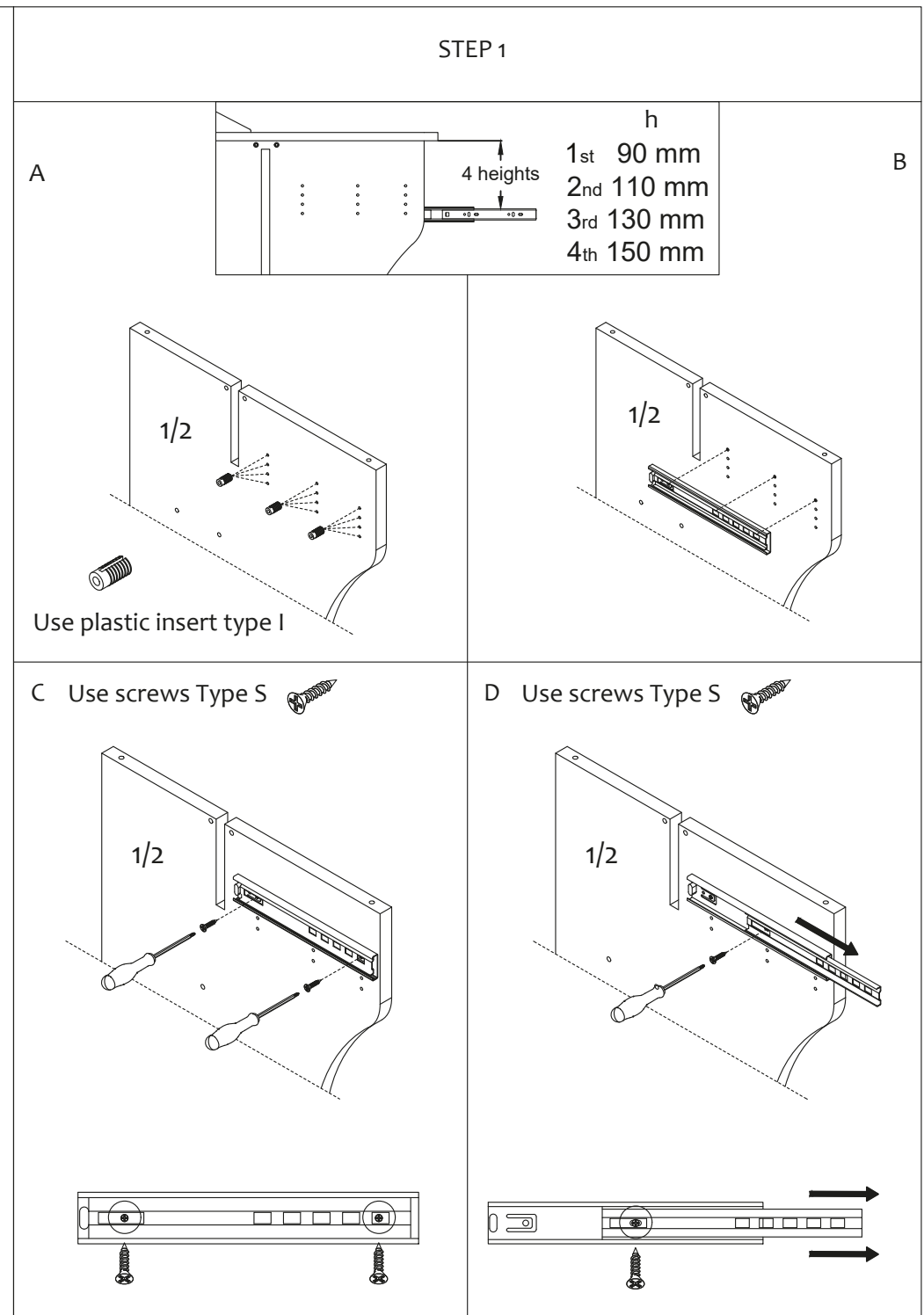
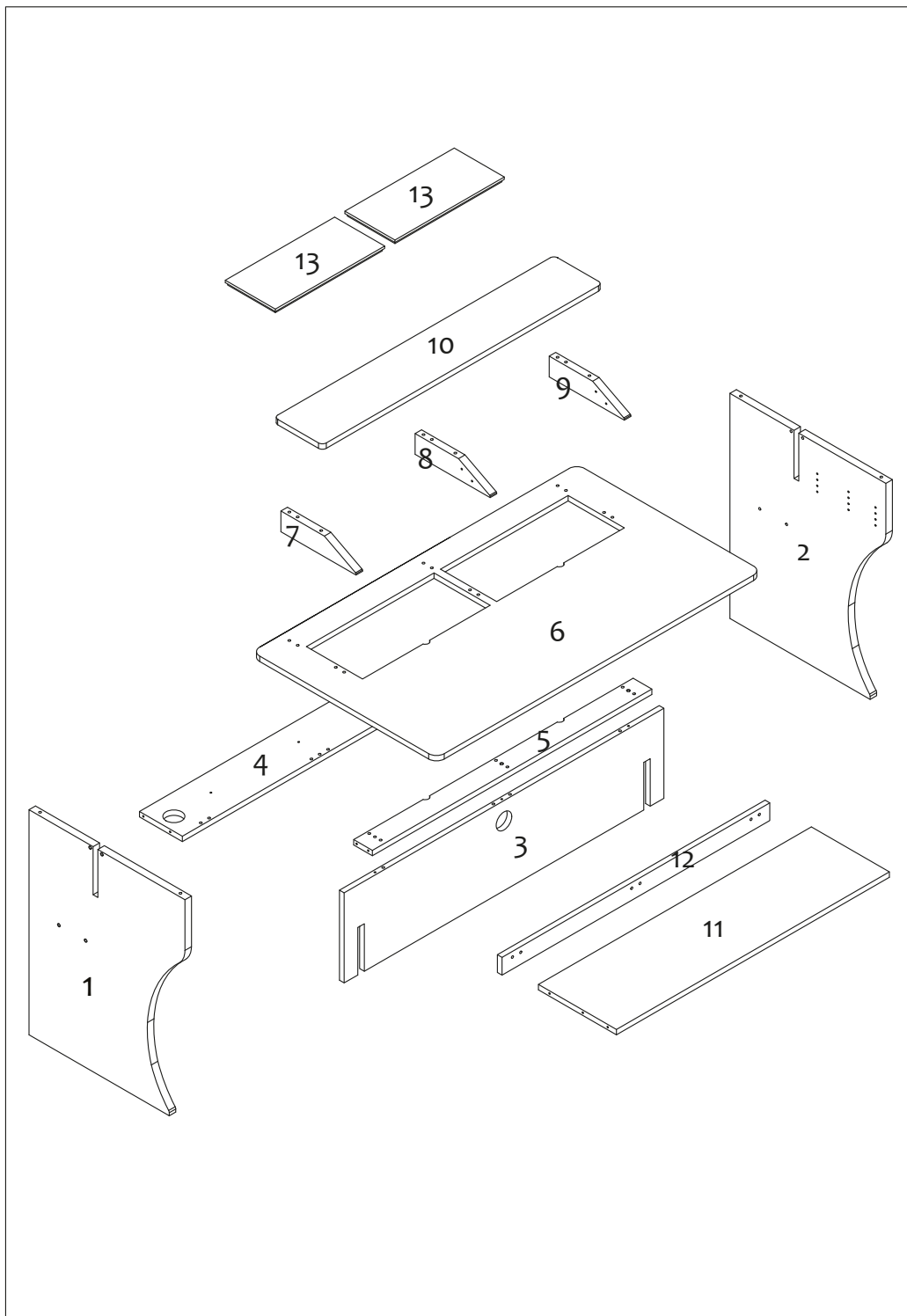


Thomann GmbH  
Hans-Thomann-Straße 1  
96138 Burgebrach  
Germany  
Telephone: +49 (0) 9546 9223-0  
Internet: [www.thomann.de](http://www.thomann.de)

18.09.2023, ID: 476672

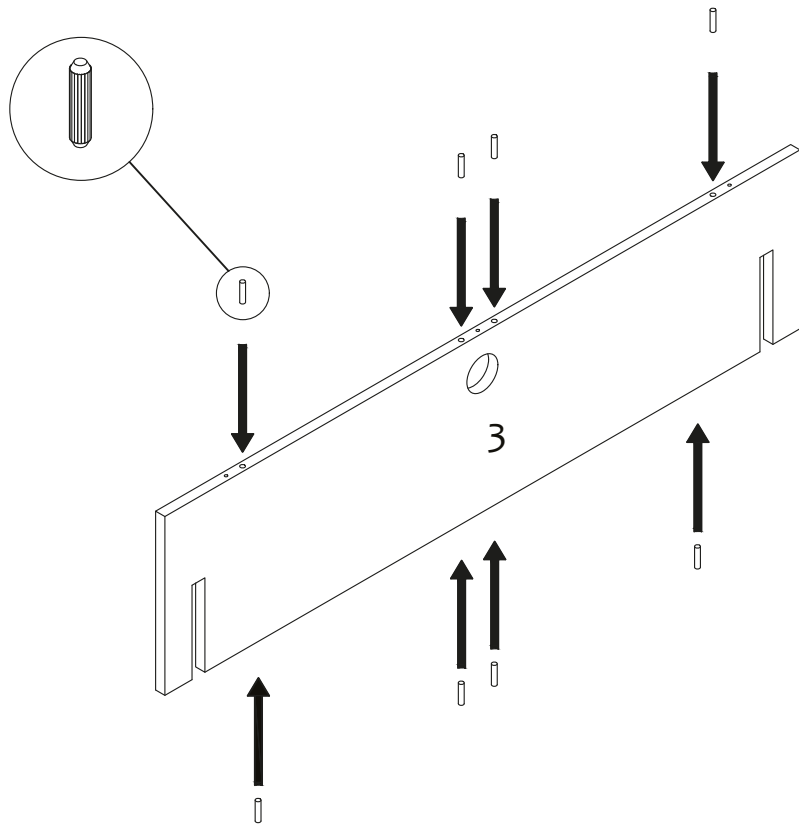
# ComboDesk

## Assembly Manual

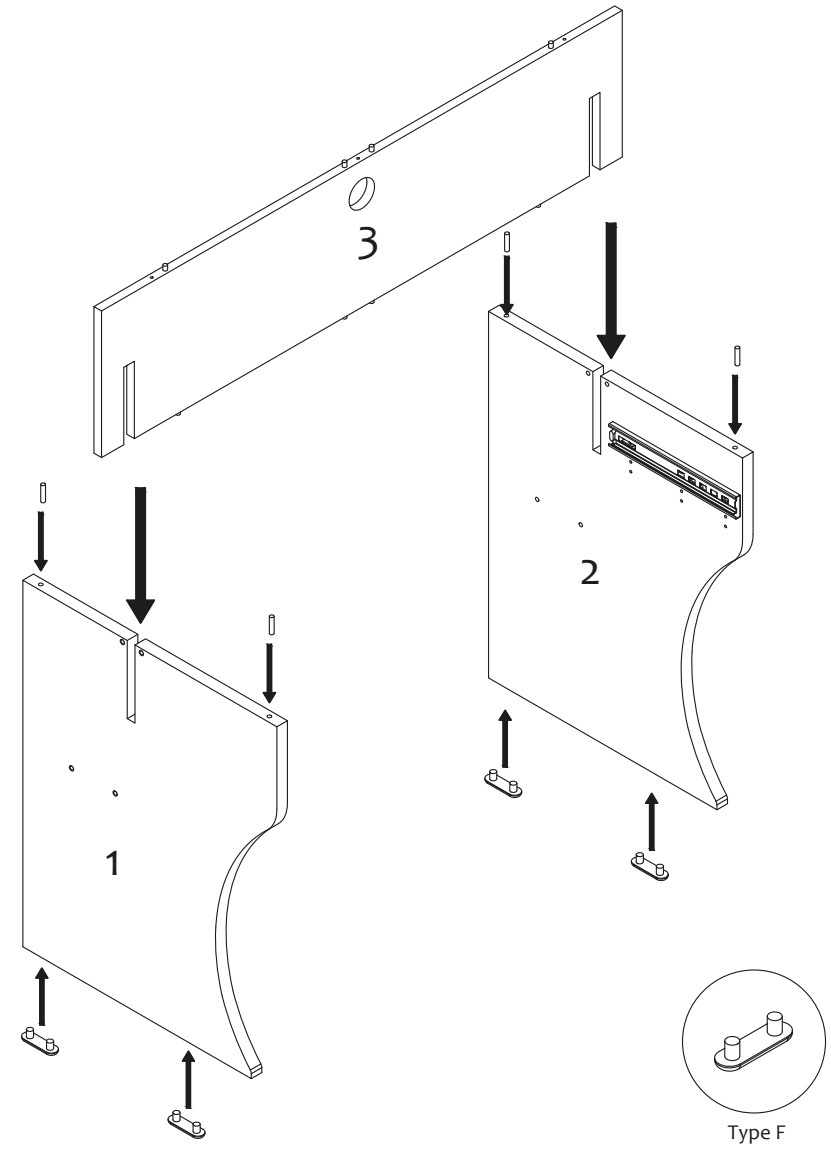


## STEP 2

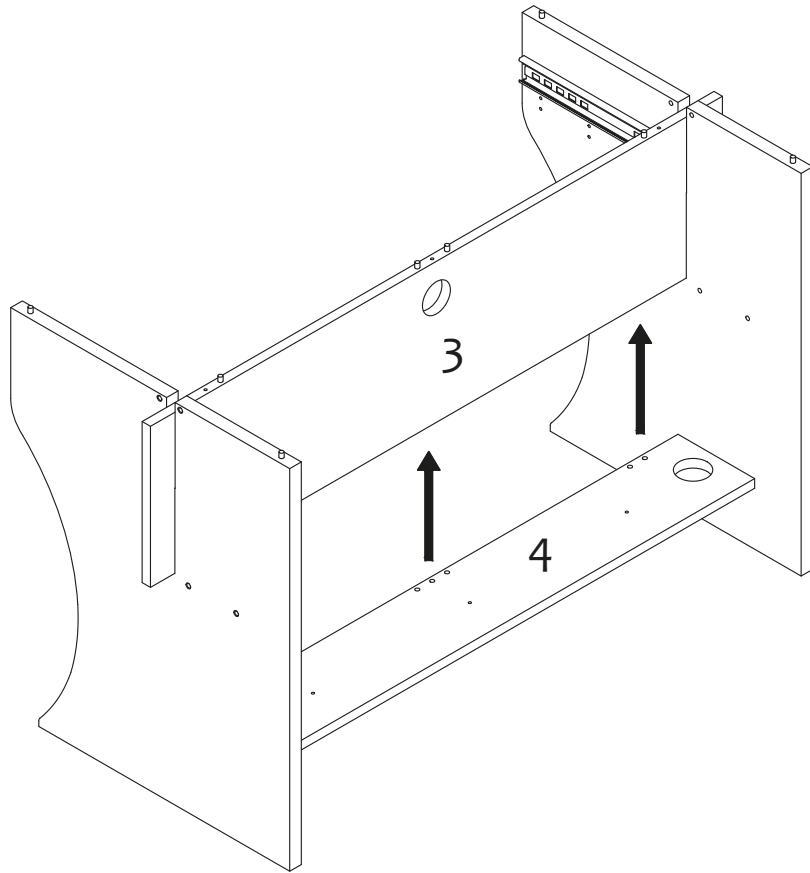
Push wooden dowels W in the appropriate holes



## STEP 3

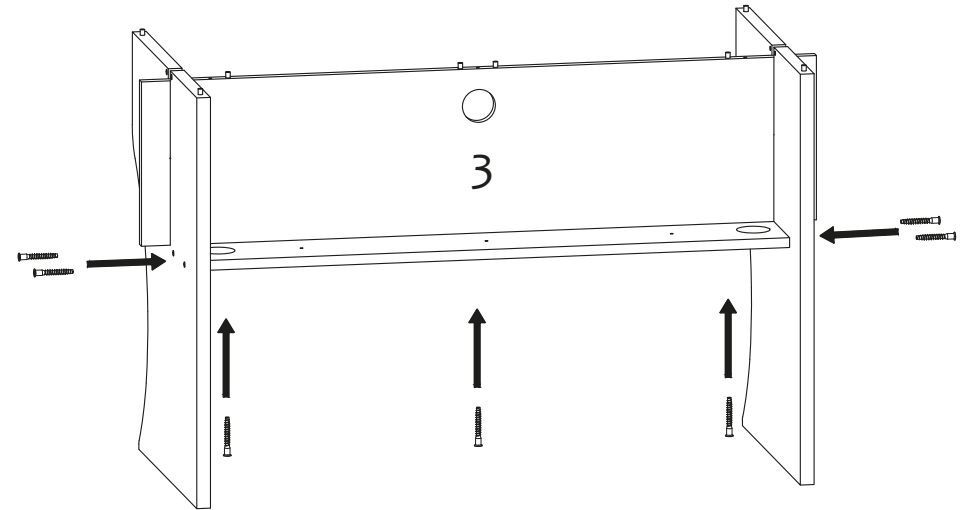


STEP 4

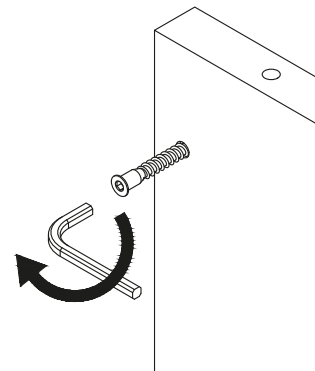


STEP 5

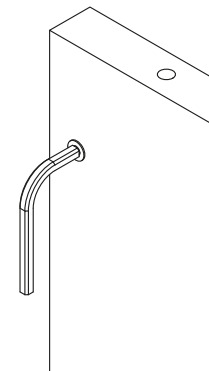
Use screws Type E 



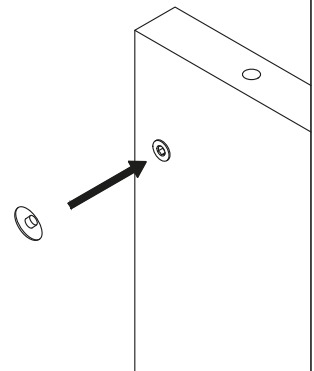
Use hex wrench to screw



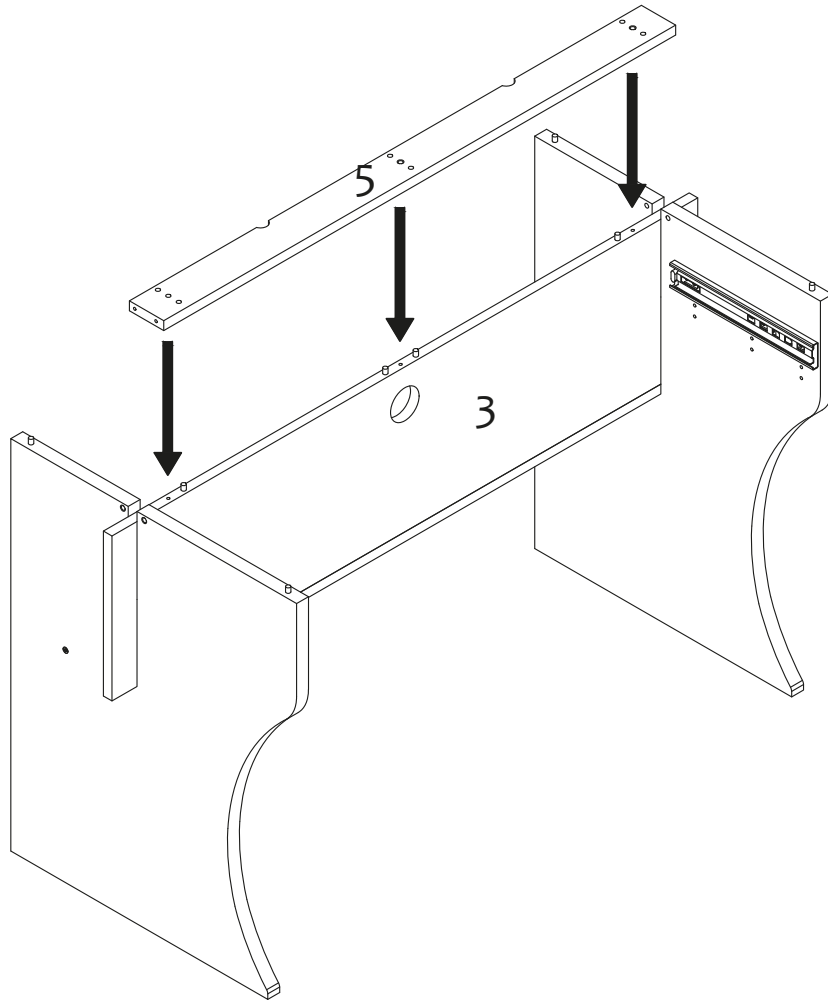
Tighten the screw until it is even with the particle board



Use screws caps

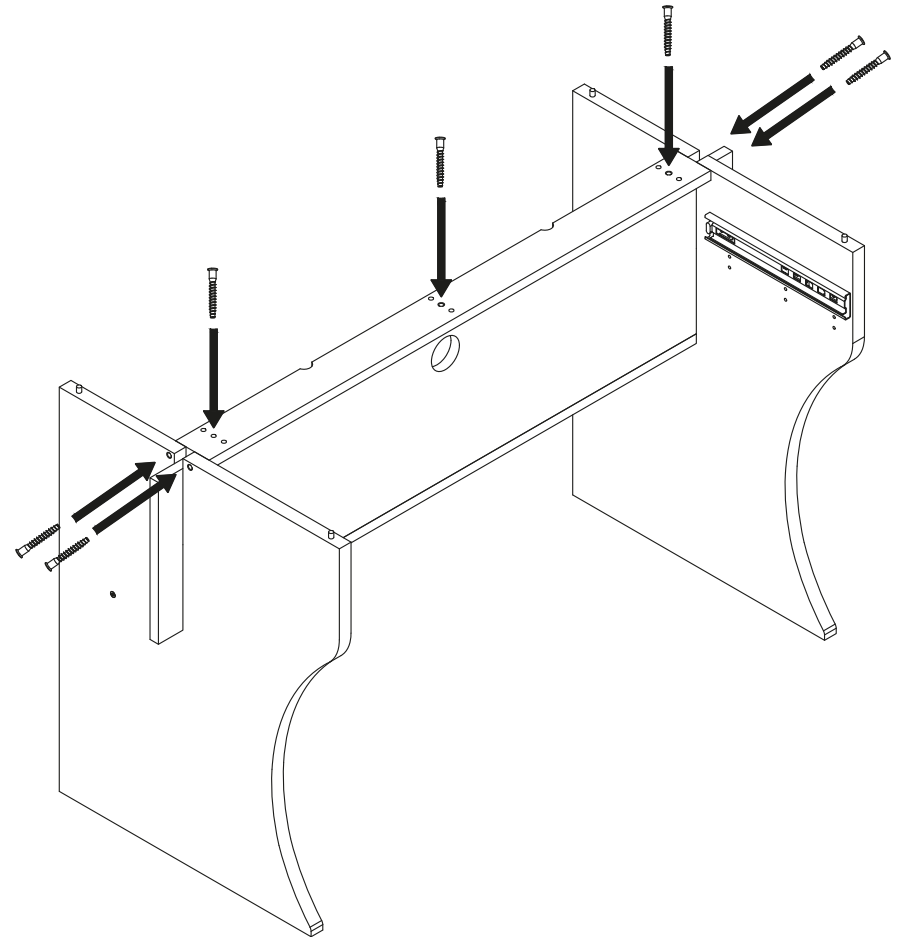


STEP 6

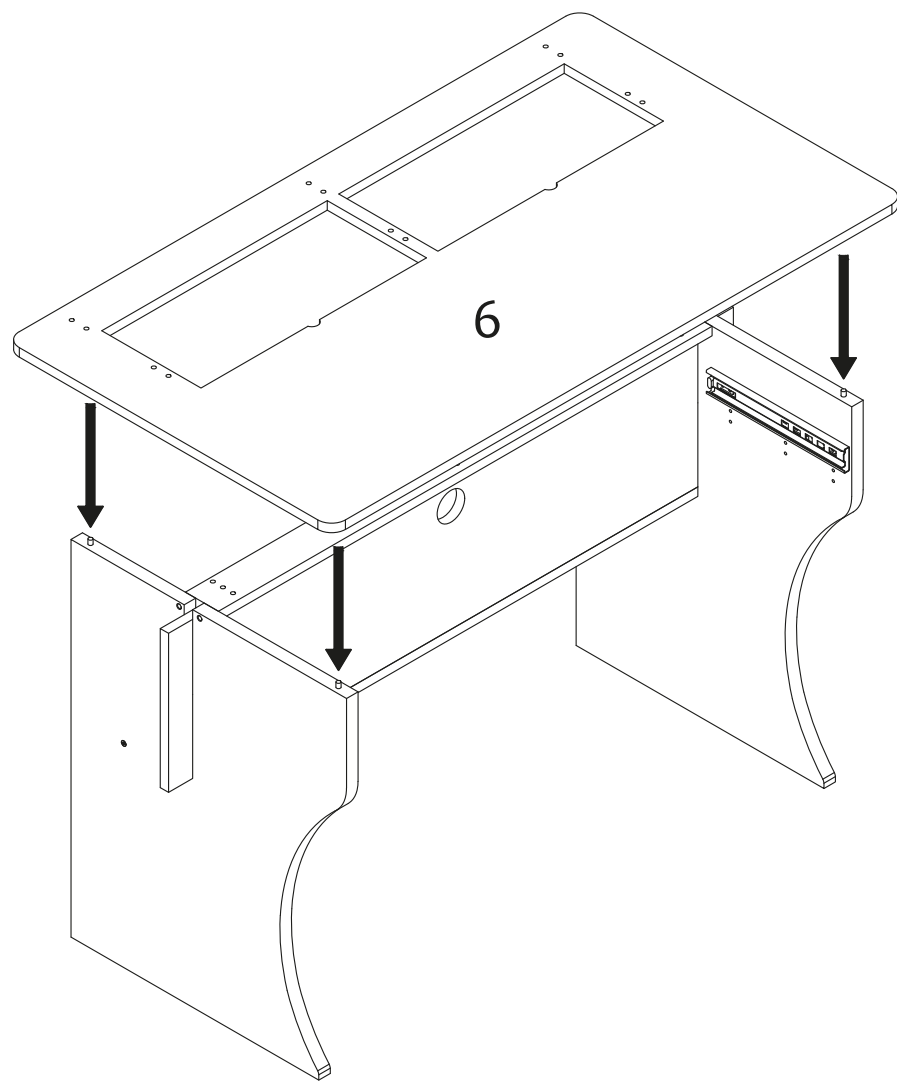


STEP 7


Use screws Type E 

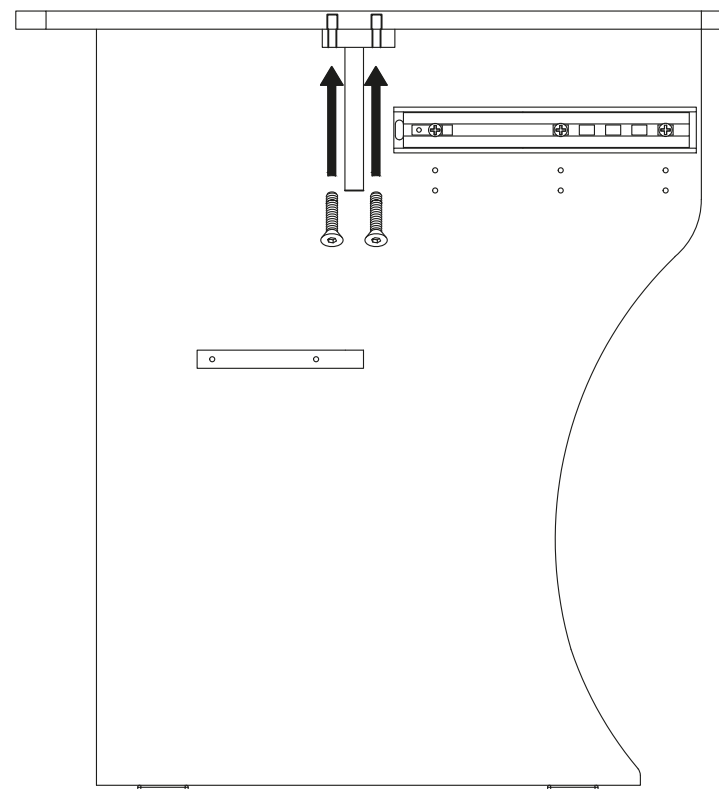


STEP 8

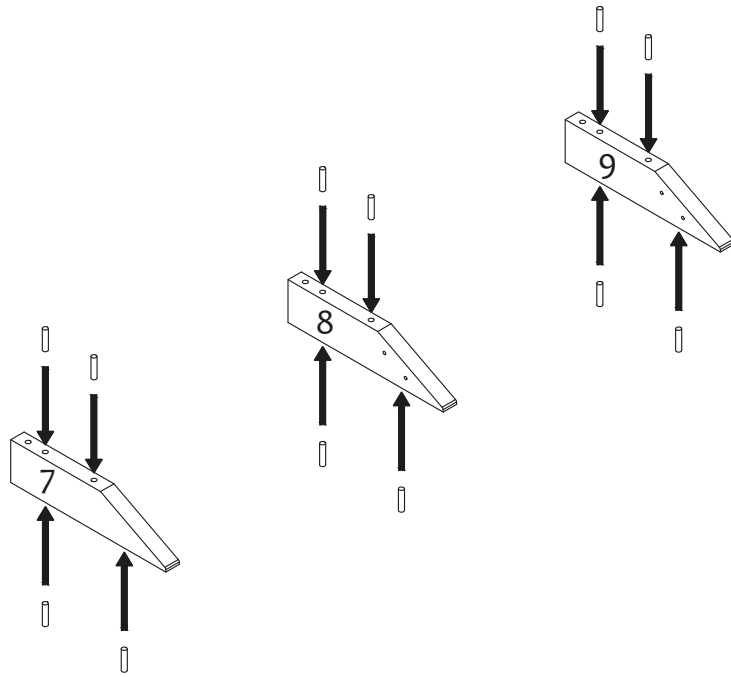


STEP 9

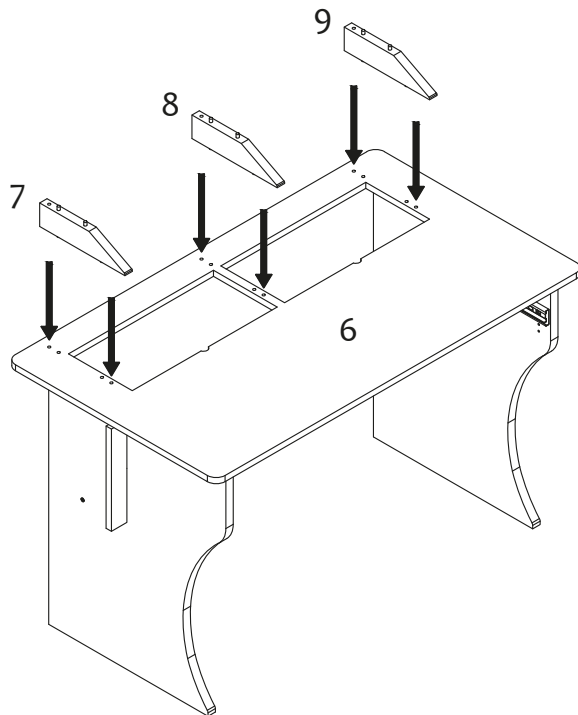
Use screws Type A (x6) 



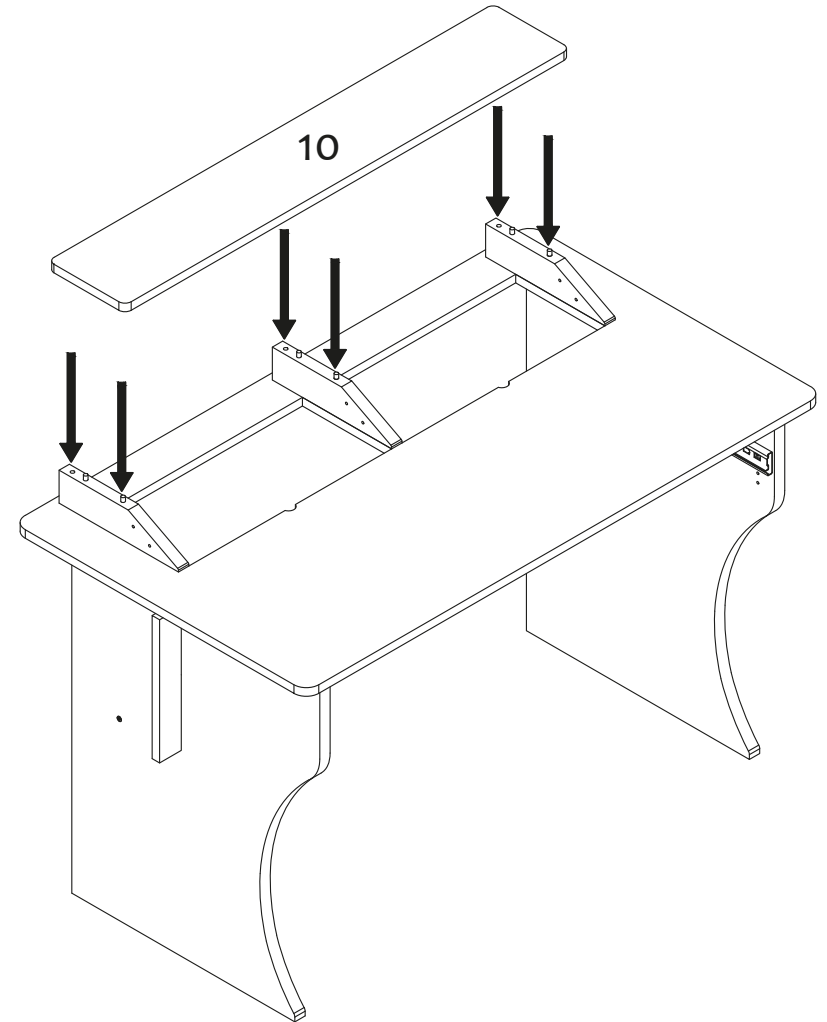
STEP 10



STEP 11




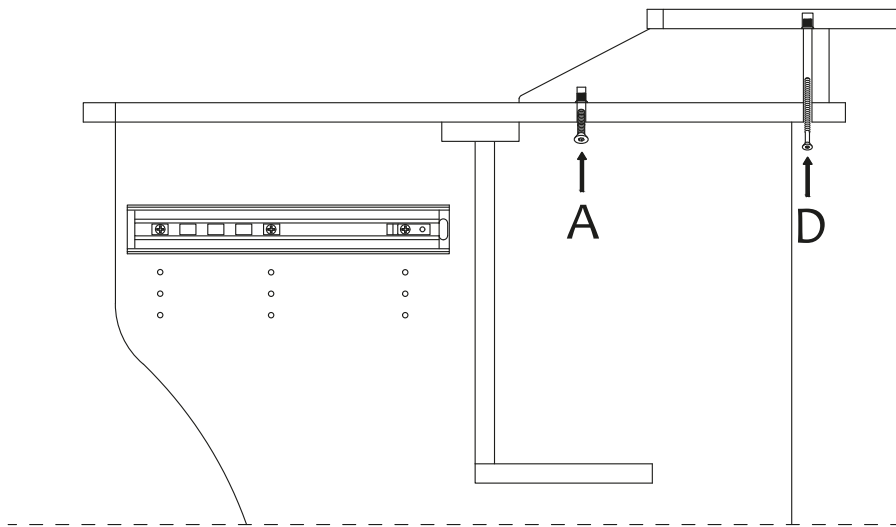
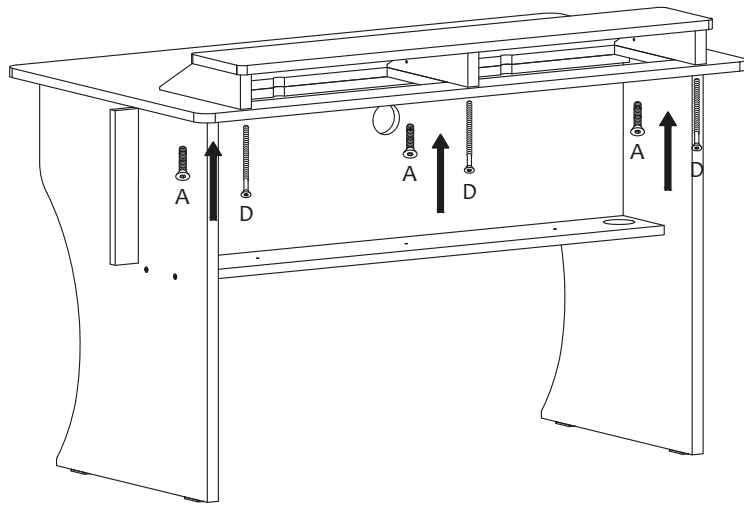
STEP 12



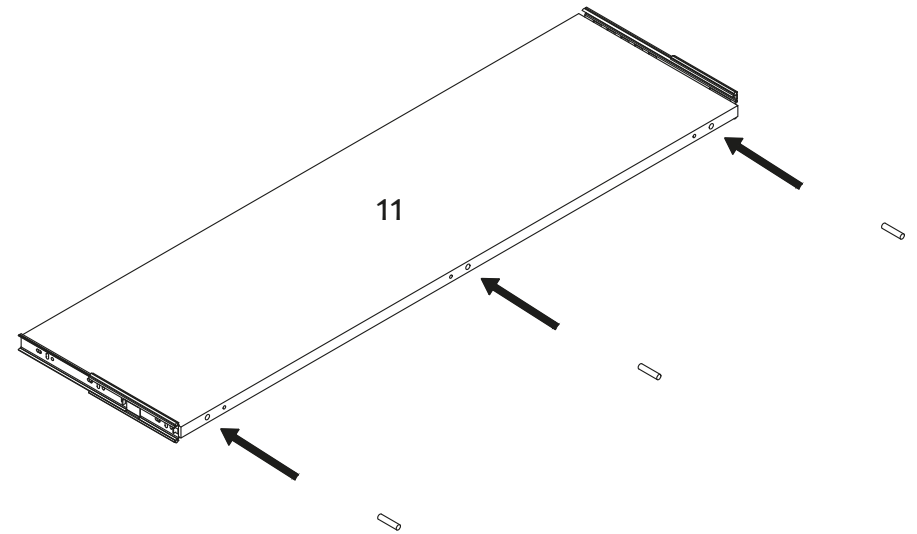
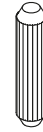
STEP 13

Use screws Type A (x3) 


Use screws Type D (x3) 

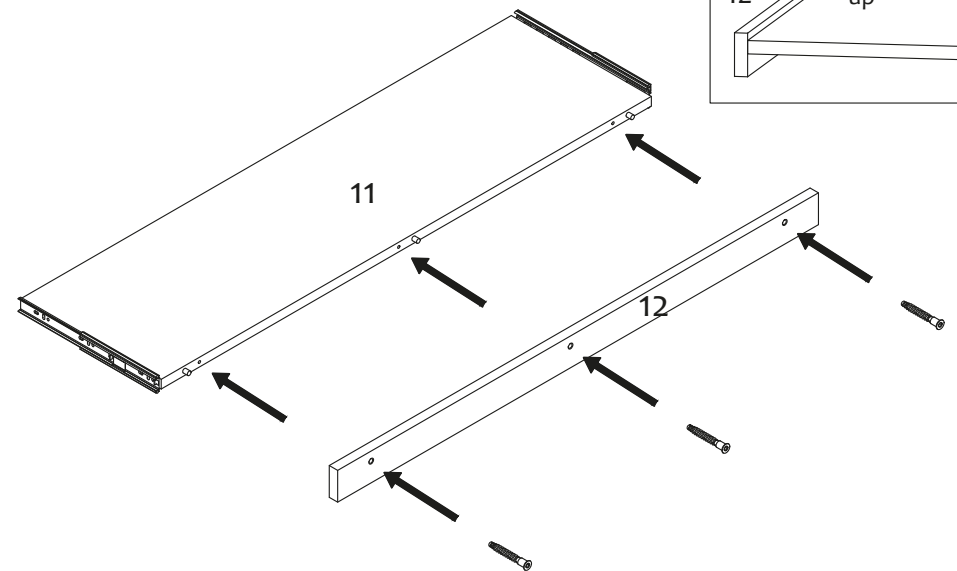


STEP 14



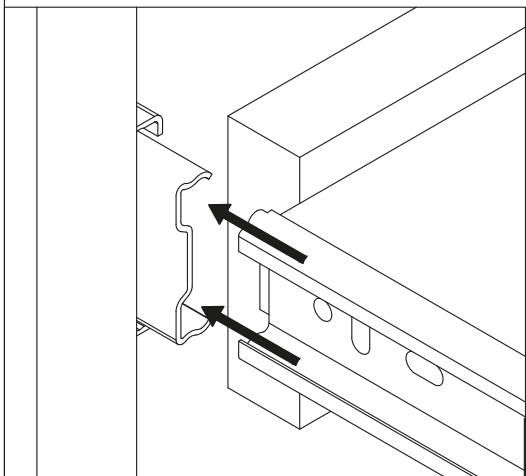
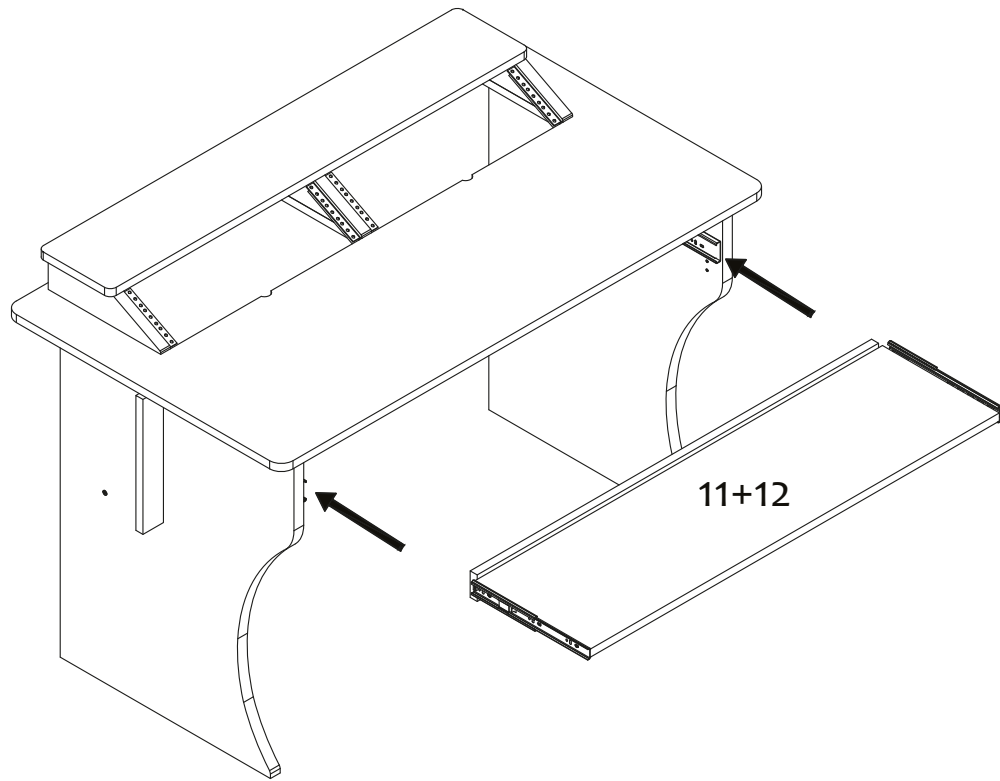
STEP 15

Use screws Type E 

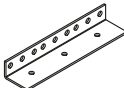



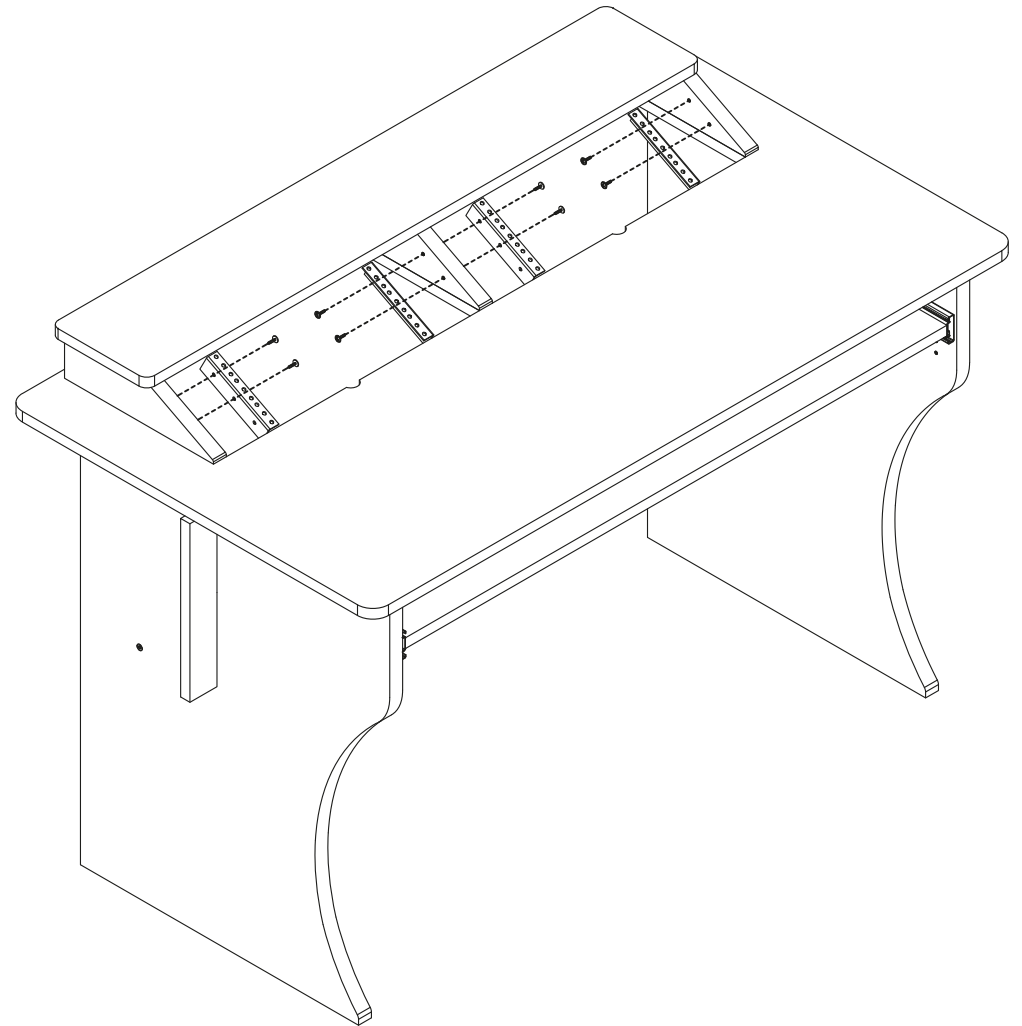


STEP 16

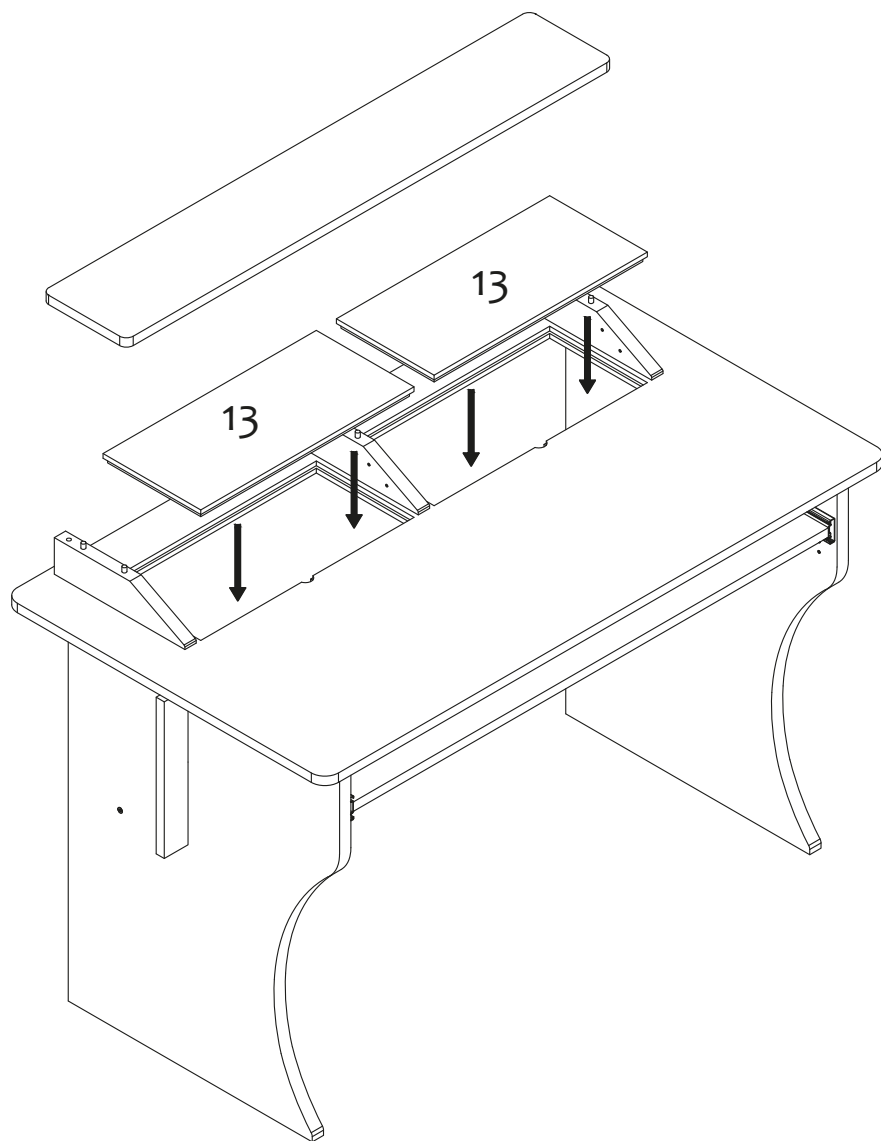


STEP 17

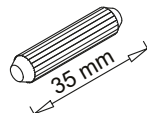
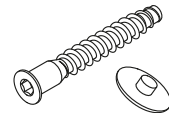
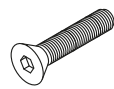


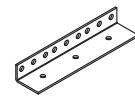


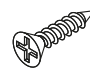
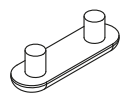

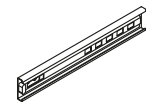
Fix Rack Rail  with screws Type RS 



If you don't need the rack units don't fix the rack rails and use the pieces number 13 to close the holes



### PACKING LIST:

x27 Type <b>W</b>  35 mm Wooden dowels	x17 Type <b>E</b>  Euro Screws	x9 Type <b>A</b>  m6x30 mm	x3 Type <b>D</b>  m6x100 mm
x24 Type <b>I</b>  Plastic insert	x4 Type <b>R</b>  Rack rail	x8 Type <b>Rs</b>  Rack rail screws	x24 Type <b>Ru</b>  Rack units screws
x6 Type <b>S</b>  3.5x20 mm	x4 Type <b>F</b>  Plastic foot	x1 Type <b>H</b>  Hex wrench	x2 Type <b>Sl</b>  Slider

### TOOLS:

