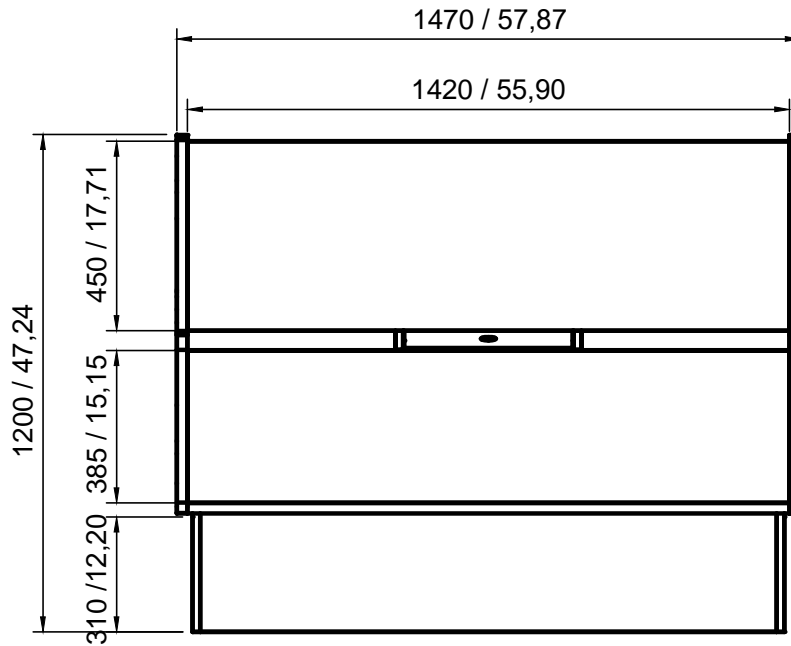
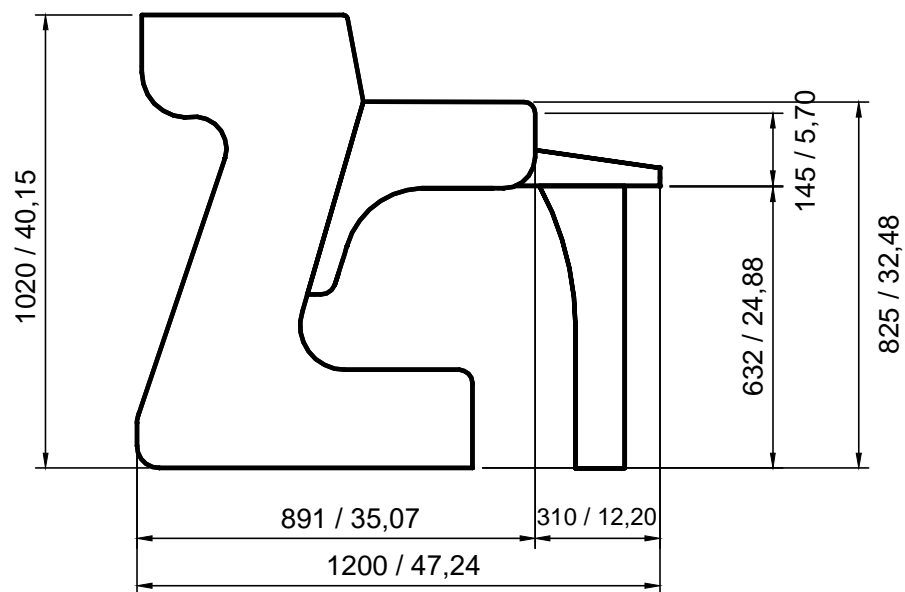


Technical Plan (in mm / inch)

TOP VIEW

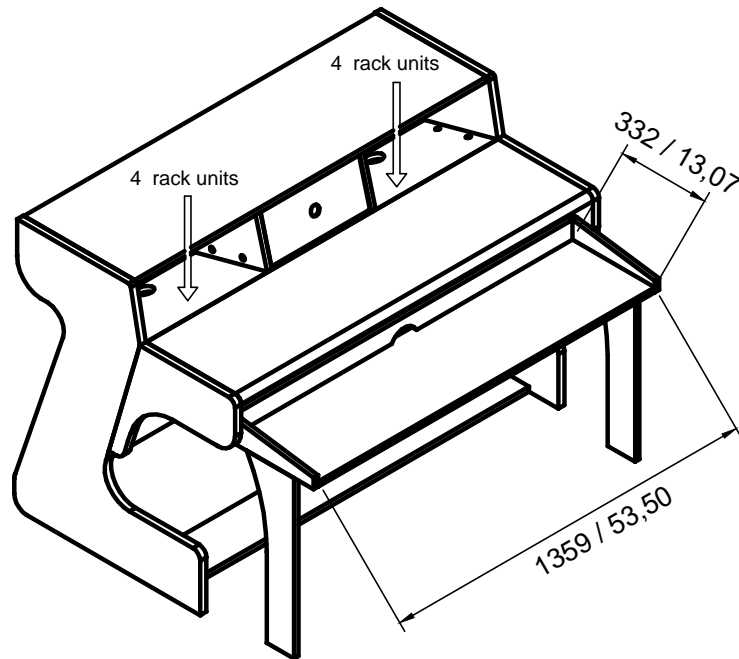


SIDE VIEW



Technical Plan

DIAGONAL VIEW



DIAGONAL VIEW

