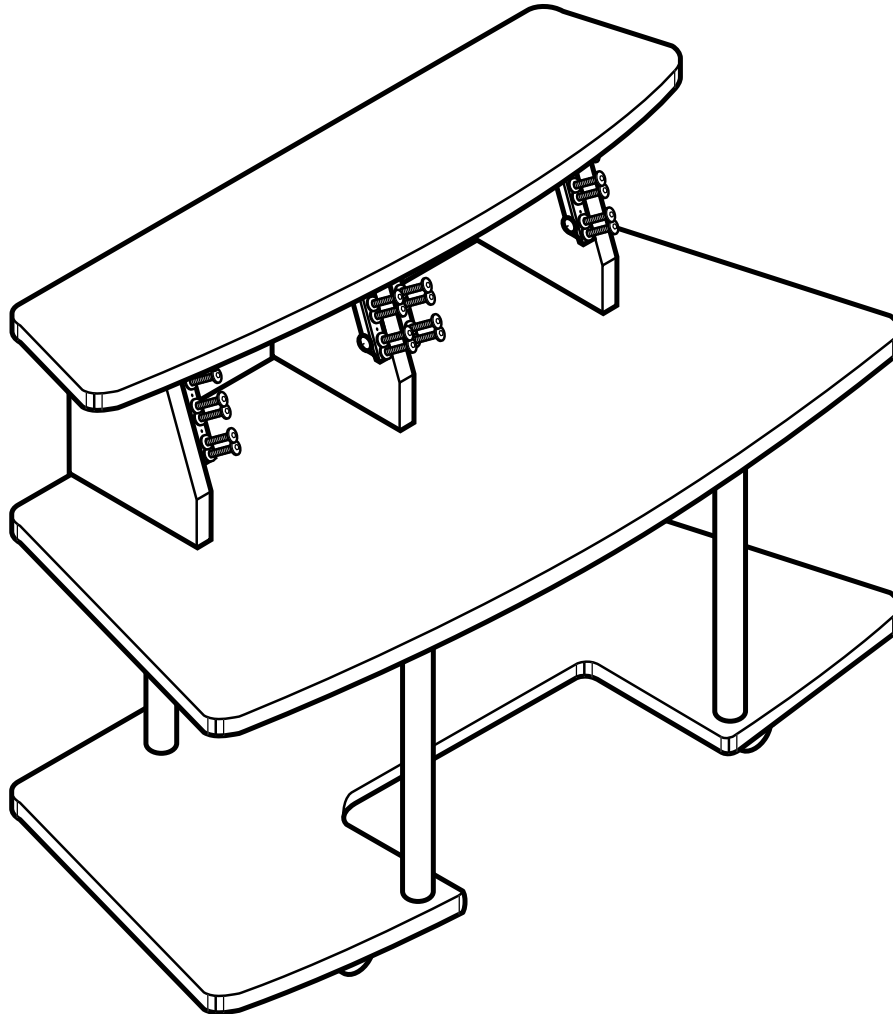


THANK YOU FOR PURCHASING OUR STUDIO RTA
CREATION STATION



MODEL# 20672

IF YOU REQUIRE ANY ASSISTANCE WITH ASSEMBLY, PARTS,
OR INFORMATION ON OTHER PRODUCTS, PLEASE VISIT OUR WEBSITE:

www.studiorta.com

OR CALL OR WRITE THE FOLLOWING:

Studio
READY TO ASSEMBLE®
INSPIRING CREATIVITY

8700 REX ROAD • PICO RIVERA, CA 90660

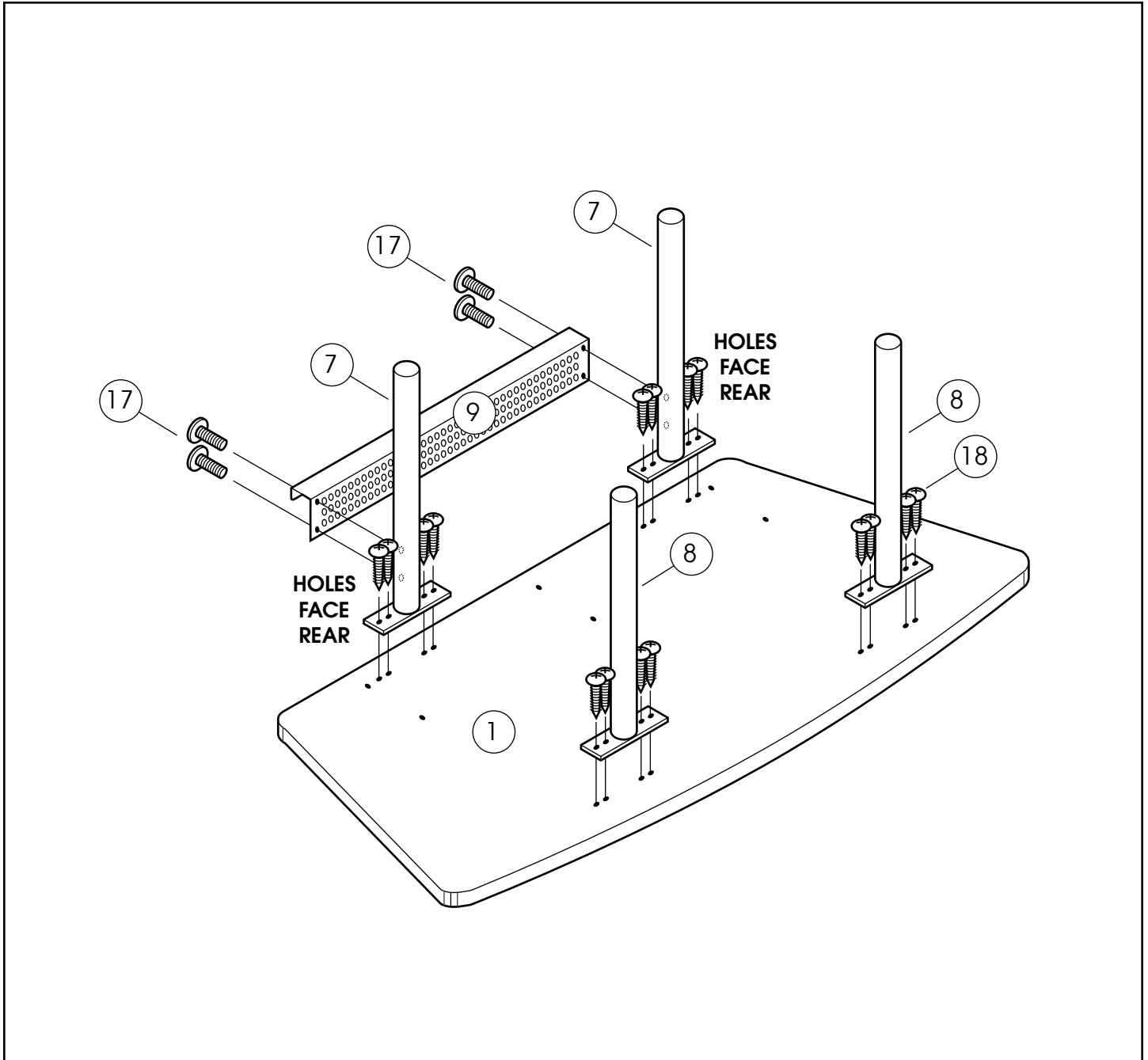
(562) 446-2255 • FAX (562) 446-2277

(800) 445-1527

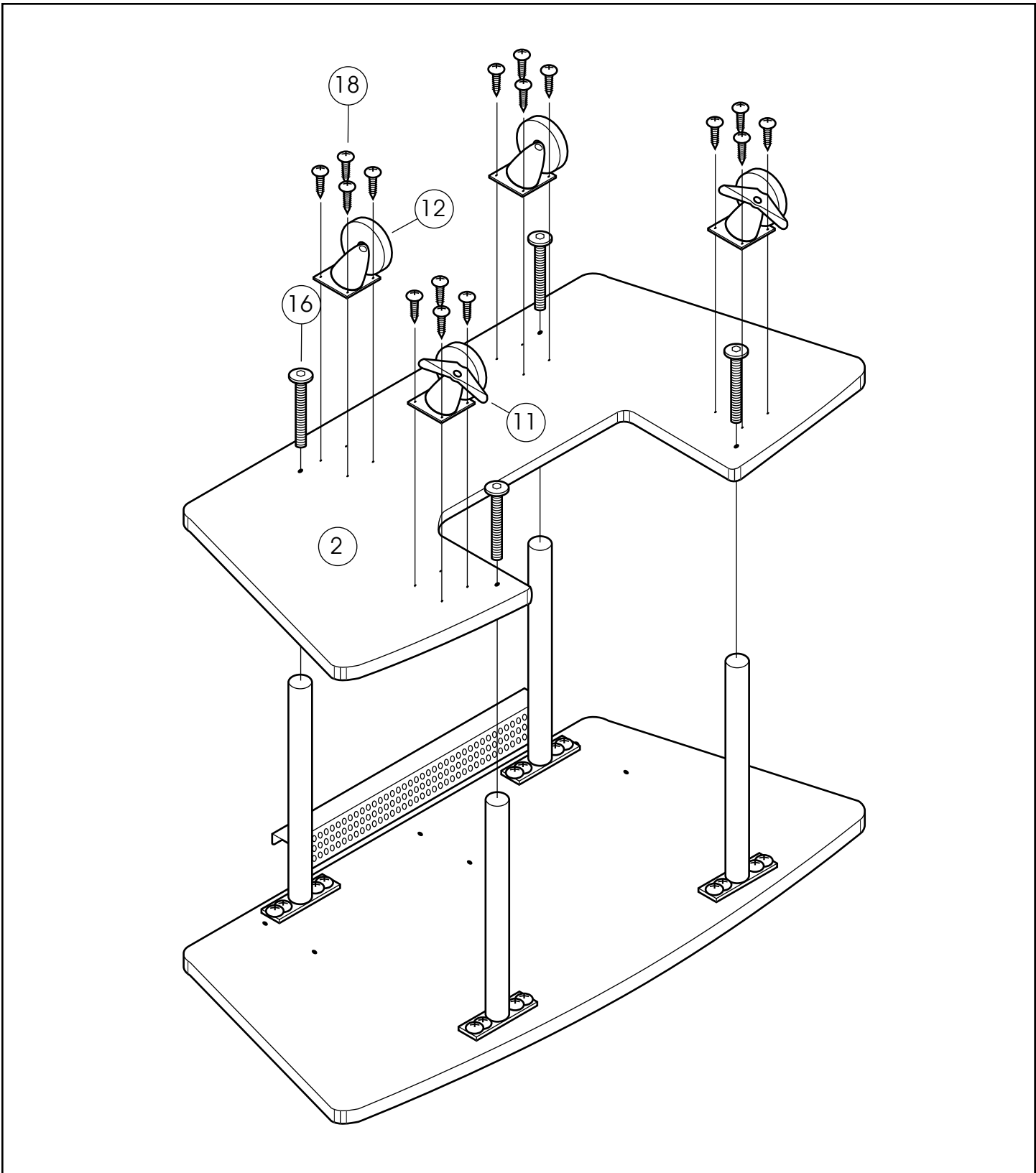
ASSEMBLY INSTRUCTIONS

IMPORTANT:

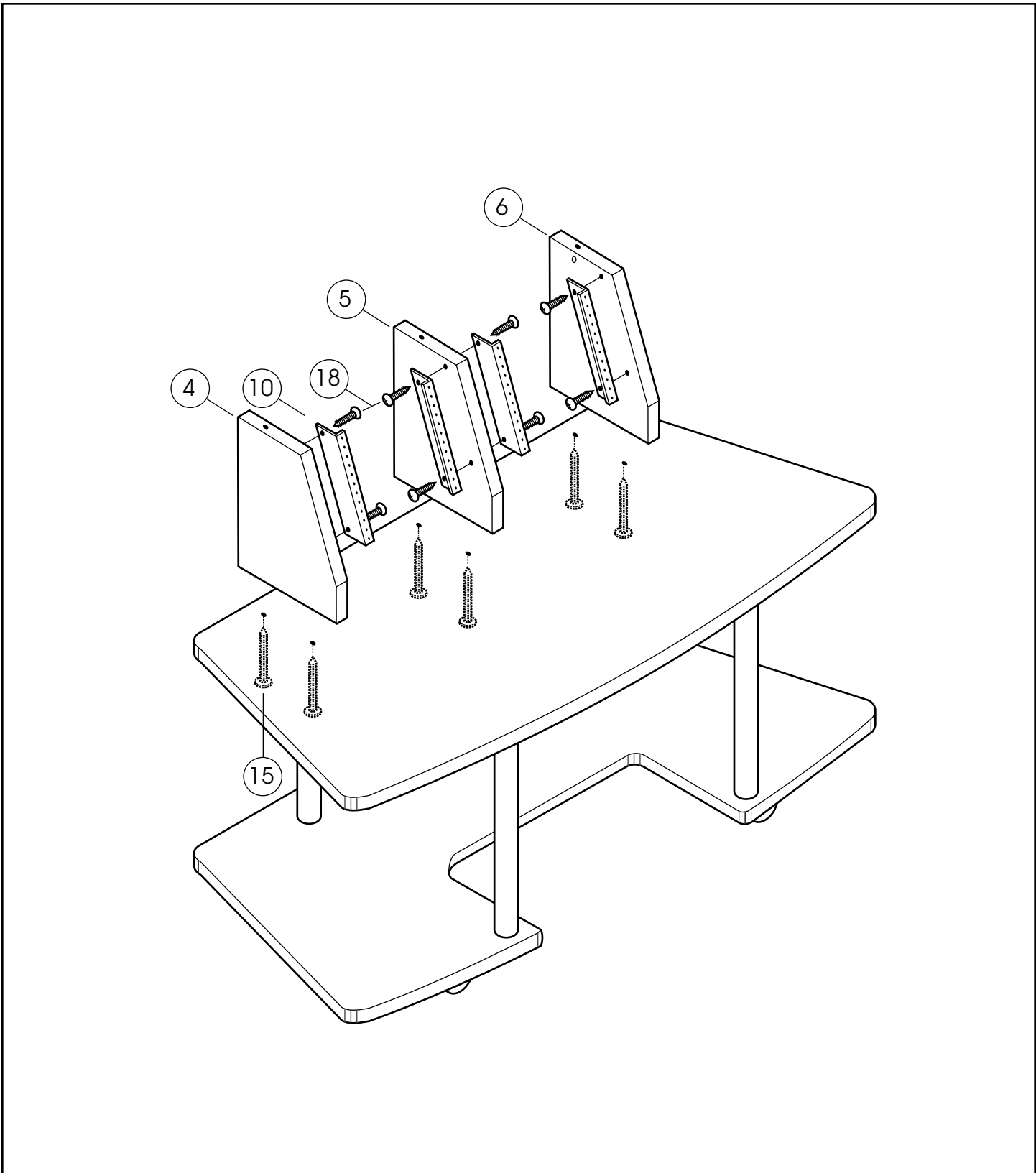
CAREFULLY UNPACK & IDENTIFY EACH COMPONENT BEFORE ATTEMPTING TO ASSEMBLE. REFER TO PARTS LIST. PLEASE TAKE CARE WHEN ASSEMBLING THE UNIT AND ALWAYS SET THE TABLE TOPS ON A CLEAN, SOFT SURFACE.



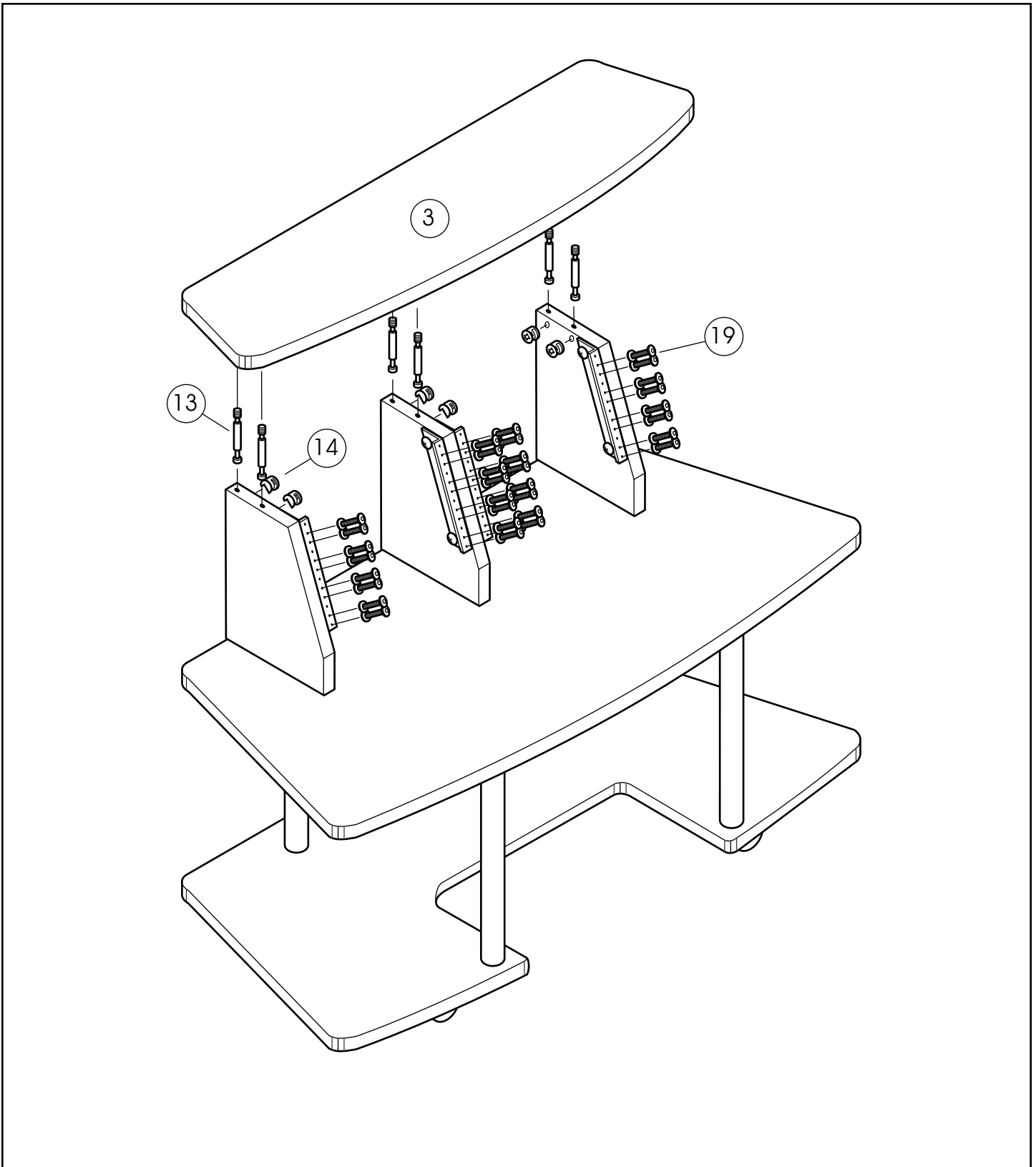
- 1.** LAY MAIN WORKSURFACE (1) ON CLEAN FLAT SURFACE WITH HOLES FACING UP. ATTACH REAR LEGS (7) WITH HOLES FACING REAR AS SHOWN USING PHILLIPS SCREWS (18). ATTACH FRONT LEGS (8) USING PHILLIPS SCREWS (18). ALIGN HOLES IN REAR PANEL (9) WITH HOLES IN REAR LEGS AND ATTACH USING ALLEN BOLTS (17).



2. LAY BOTTOM SHELF (2) WITH HOLES FACING UP ONTO LEGS AS SHOWN. ATTACH USING ALLEN BOLTS (16). ATTACH LOCKING CASTERS (11) TO FRONT SECTION AND NON-LOCKING CASTERS (12) TO REAR SECTION USING PHILLIPS SCREWS (18).



3. CAREFULLY TURN UNIT RIGHT SIDE UP. PLACE VERTICAL PANELS (4, 5 AND 6) ON MAINWORKSURFACE AND ATTACH USING ALLEN SCREWS (15). ATTACH BRACKETS (10) USING PHILLIPS SCREWS (18) AS SHOWN.



4. SCREW CAM BOLTS (13) INTO TOP SHELF (3). INSERT OTHER END OF CAM BOLTS INTO HOLES IN VERTICAL PANELS. INSERT CAM LOCKS (14) INTO HOLES IN VERTICAL PANELS (MAKE SURE ARROW POINTS TOWARDS CAM BOLT) AND TURN CLOCKWISE TO LOCK IN PLACE. SCREW IN PHILLIPS BOLTS AND WASHERS (19).

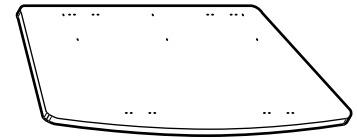
PARTS LIST

DESCRIPTION

QUANTITY

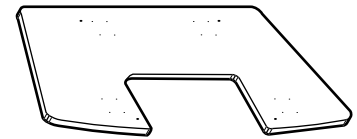
1. MAIN WORKSURFACE

1



2. BOTTOM SHELF

1



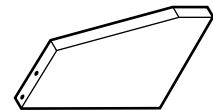
3. TOP SHELF

1



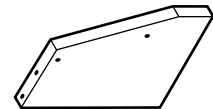
4. VERTICAL PANEL - LEFT SIDE

1



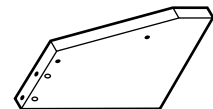
5. VERTICAL PANEL - CENTER

1



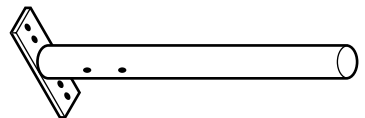
6. VERTICAL PANEL - RIGHT SIDE

1



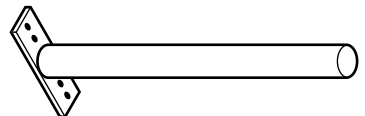
7. REAR LEG - 2 HOLES FOR REAR PANEL

2



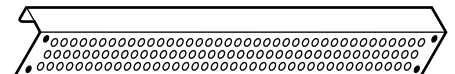
8. FRONT LEG

2



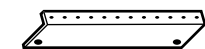
9. REAR PANEL

1



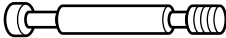

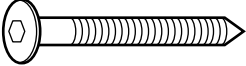
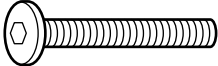
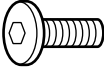

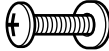
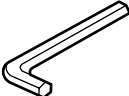


10. BRACKET

4



PARTS LIST

DESCRIPTION	QUANTITY	
11. CASTER - LOCKING	2	
12. CASTER - NON-LOCKING	2	
13. CAM BOLT	6	
14. CAM LOCK	6	
15. ALLEN SCREW - 1/4" X 68MM	6	
16. ALLEN BOLT - 1/4" X 50MM	4	
17. ALLEN BOLT - 1/4" X 16MM	4	
18. PHILLIPS SCREW - 15MM	40	
19. PHILLIPS BOLT AND WASHER	32	
20. ALLEN WRENCH	1	

LIMITED WARRANTY

Studio RTA warrants to the Original Purchaser that this product will be free from defects in its material and workmanship as described below. The company will repair or replace, at its option, without charge to the original purchaser only, defective products or parts during the following warranty periods. Ten (10) years or (Thirty (30) days on closeouts and discounted products) while owned by the Original Purchaser...Replacement parts can only be supplied if parts are available. Items out of production may be unavailable. This warranty shall be effective for the applicable time period beginning from date of purchase as shown on your original sales receipt. This warranty is your sole remedy for product defects and excludes defects due to or arising in connection with product abuse or misuse, use modification of, or attachments to the product, and products or parts not used, maintained, or installed in accordance with the company's installation, maintenance and/or applicable guidelines. There are no other warranties, express or implied other than those specifically described, including without limitation any implied warranty of merchantability or of fitness for a particular purpose. The company will not be responsible for incidental or consequential damages. Some states do not allow the exclusion or limitation of incidental or consequential damages, so the above limitations or exclusions may not apply to you. This warranty gives you specific legal rights and you may also have other rights which may vary from state to state. The company will advise you of the procedure to follow in making warranty claims. Telephone Studio RTA at 1-800-445-1527 to explain the defect and give your name, address, and telephone number. Please be prepared with the model number of the product, date and place of purchase.